

No.

279 / JPN 5

certificate after renovation

**CERTIFICATE OF JUMPING HILL
CERTIFICAT DE CONFORMITE
SCHANZENPROFILBESTÄTIGUNG**

Date of issue 29.12.2016
Établi le
Ausgestellt am

Valid till 31.12.2021
Valable jusqu' au
Gültig bis

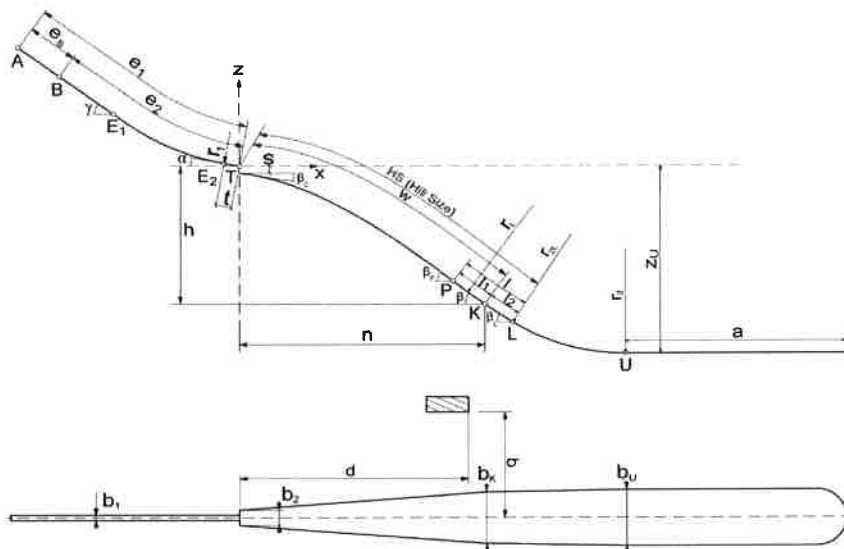
Place: Yamagata

Name: Zao

HS = 106 m

h/n = 0,541

Vo = 24,55 m/s



$e_1 = 92,20 \text{ m}$	$l_1 = 11,55 \text{ m}$	$P = 83,50 \text{ m}$
$e_s = 24,50 \text{ m}$ 50 gates	$l_2 = 11,00 \text{ m}$	$K = 95,00 \text{ m}$
$t = 6,30 \text{ m}$	$a = 81,00 \text{ m}$	$L = 106,00 \text{ m}$
$\gamma = 35,00^\circ$	$\beta_p = 36,00^\circ$	$b_1 = 2,70 \text{ m}$
$\alpha = 11,00^\circ$	$\beta = 33,00^\circ$	$b_2 = 8,00 \text{ m}$
$r_1 = 90,00 \text{ m}$ clothoide	$\beta_L = 30,14^\circ$	$b_K = 19,00 \text{ m}$
$h = 44,98 \text{ m}$	$r_L = 220,00 \text{ m}$	$b_u = 21,00 \text{ m}$
$n = 83,41 \text{ m}$	$r_{2L} = 105,00 \text{ m}$	$d = 65,50 \text{ m}$
$s = 2,38 \text{ m}$	$r_{2L} = 90,00 \text{ m}$	$q = 27,00 \text{ m}$

Remarks / Bemerkungen

1. inspection by Torgeir Nordby (25th October 2016)
2. the remarks of the inspection-report must be observed and fulfilled for the validity of certification.
3. for the standards for the construction of jumping hills (ICR/IWO) the owner is responsible during training and competition.

JUMPING HILL APPROVED BY THE FIS
TREPLIN HOMOLOGUE PAR LA FIS
DURCH DIE FIS GENEHMIGTE SPRUNGSCHANZE

SUB-COMMITTEE FOR JUMPING HILLS

CHAIRMAN:



Hans-Martin Renn