

No. 105 / POL 1 temporary certificate after renewing of inrun (1st step of renewing)

CERTIFICATE OF JUMPING HILL CERTIFICAT DE CONFORMITE SCHANZENPROFILBESTÄTIGUNG

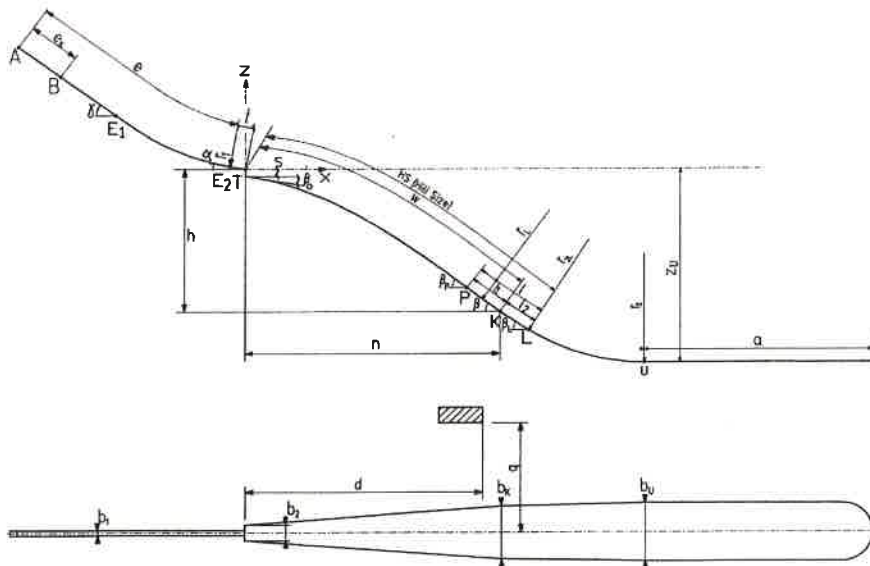
Date of issue 29.12.2016
Établi le
Ausgestellt am

Valid till 31.12.2017
Valable jusqu'au
Gültig bis

Place: Zakopane

Name: Wielka Krokiew

HS = 134 m h/n 0,582 Vo = 26,40 m/s



e = 92,20 m	l ₁ = 11,00 m	P = 109,00 m
e _s = 22,00 m 35 gates	l ₂ = 13,90 m	K = 120,00 m
t = 6,50 m	a = 106,00 m sloping up 17°	L = 133,90 m
γ = 35,00 °	β _p = 37,50 °	b ₁ = 2,64 m
α = 11,00 °	β = 35,50 °	b ₂ = 7,40 m
r ₁ = 90,00 m	β _L = 33,00 °	b _K = 24,40 m
h = 59,81 m	r _L = 316,00 m	b _U = 26,40 m
n = 102,85 m	r _{2L} = / m	d = 84,00 m
s = 3,13 m	r ₂ = 133,50 m	q = 35,00 m

Remarks / Bemerkungen

1. inspection by Josef Slavik (29th November 2016)
2. the remarks of the inspection-report are must be observed and fulfilled for the validity of certification.
3. for fulfilling the (ICR/IWO) standards of the jumpinghill, the owner is responsible during training and comp
4. basis for a permanent certification is the completing of the second step of profile-renewing (2nd step is the

JUMPING HILL APPROVED BY THE FIS
TREMPLIN HOMOLOGUE PAR LA FIS
DURCH DIE FIS GENEHMIGTE SPRUNGSCHANZE

SUB-COMMITTEE FOR JUMPING HILLS

CHAIRMAN:

Hans-Martin Renn